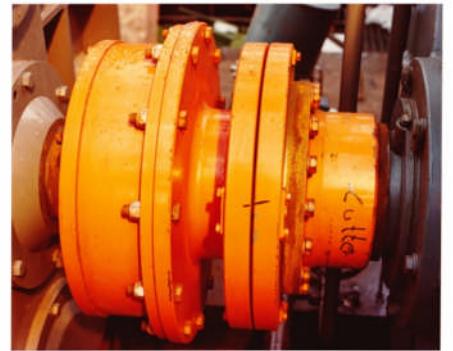




Application engineered mechanical power transmission

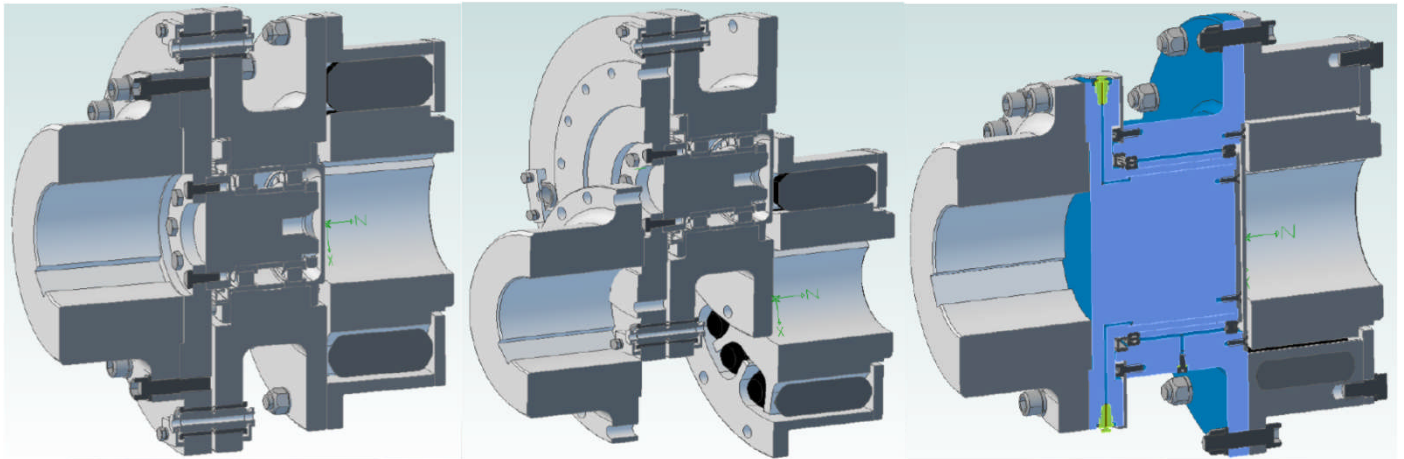
New design AVD Safeset Torque Limiter



Old design

Replacement

New standard design



Many dredgers, built in previous decades, are still productive and originally equipped with AVD manufactured shear pin couplings.

We now can offer you the state of the art upgrade for these unit with these unique selling points:

- * Simple Safeset torque limiter built to replace the standard AVD shear pin spacer without displacing the connecting drive line components.
- * Simple slide out the SP spacer and install the new torque limiting spacer.
- * Better protection and less un wanted stops, so more reliability and productivity.
- * Get independent from fatigue
- * Protects you drive line.
- * Reliable load limitation without fatigue, preventing replacement needed or not needed sudden stops from fatigue ruptures of the shear pins.

For more information, please take contact with our sales department.

Neon 155
4751XA Oud-Gastel
Netherlands
Tel: +31(0)88-0350600
Fax: +31(0)88-0350650
info@avdholland.com
www.avdholland.com

Rue du Bosquet 35
B1402 Nivelles
Belgium
Tel: +32 (0)67-493740
Fax: +32(0)67-442534
info@avd.be
www.avd.be